

## Plasteel® Elutron® Jacketed Tank

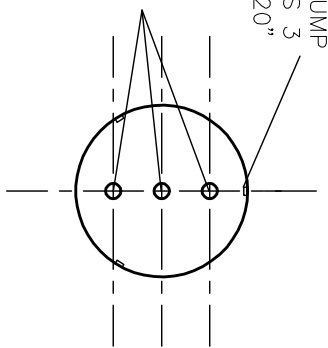
**6,000 GALLONS CAPACITY  
22,800 LITERS**

**EMPTY WEIGHT ~ 5,800 LBS / 2,630 KILOGRAM**

1. TANK MUST BE UL LISTED AND LABELED JACKETED PER UL STANDARDS 58 AND 1746, PART III.
2. TANK MUST BE INSTALLED PER THE PLASTEEL® TANK MANUFACTURER'S INSTALLATION INSTRUCTIONS.
3. TANK MUST COMPLY WITH THE REQUIREMENTS OF THE AUTHORITY HAVING JURISDICTION.
4. WEIGHTS AND DIMENSIONS ARE APPROXIMATE. CONSULT WITH YOUR PLASTEEL® TANK MANUFACTURER FOR SPECIFIC WEIGHTS AND DIMENSIONS.
5. THREADED CONNECTIONS ARE TYPICAL. PIPING CONTAINMENT SUMP ATTACHMENT COLLARS ARE OPTIONAL. CONSULT WITH YOUR PLASTEEL® TANK MANUFACTURER FOR DETAILS AND OPTIONS.
6. TANK VENT FITTING SIZE MUST COMPLY WITH UL STANDARD 58.

FITTING SCHEDULE		
MARK	DIM	DESCRIPTION
A	2"	NPT FITTING W/ 2" SCH 40 MONITOR ACCESS TUBE
F <sub>f</sub>	4"	NPT FILL
F <sub>v</sub>	2"	NPT VENT
F <sub>o</sub>	4"	OPTIONAL NPT FITTING
F <sub>a</sub>	4"	NPT AUTOMATIC TANK GAGE
T	4"	NPT SUBMERSIBLE TURBINE PUMP
UL	2"X3"	UL JACKETED LABEL

SELECTED FITTINGS FROM ABOVE TABLE



**PLASTEEL**  
INTERNATIONAL INC.

2541 STATE STREET, SUITE #205      CARLSBAD, CA 92008  
 PHONE: 1-700-729-1093      FAX 1-700-729-1096

SCALE: NONE	APPROVED BY:	DRAWN BY:
DATE: 1-24-07		

**TYPICAL 6,000 GALLON  
PLASTEEL® ELUTRON® JACKETED TANK**