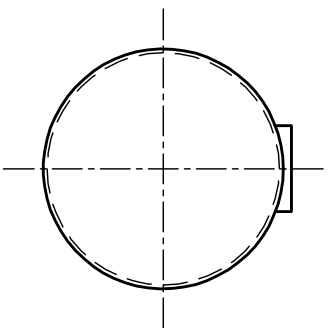


Plasteel® Elutron® Jacketed Tank

**15,000 GALLONS CAPACITY
57,000 LITERS**

EMPTY WEIGHT ~ 10,900 LBS / 4,970 KILOGRAM

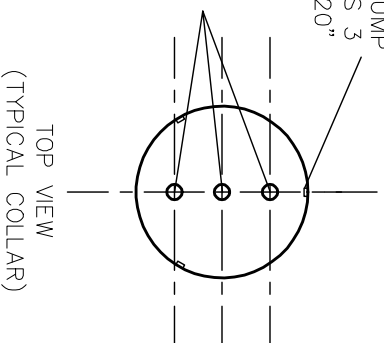
1. TANK MUST BE UL LISTED AND LABELED JACKETED PER UL STANDARDS 58 AND 1746, PART III.
2. TANK MUST BE INSTALLED PER THE PLASTEEL® TANK MANUFACTURER'S INSTALLATION INSTRUCTIONS.
3. TANK MUST COMPLY WITH THE REQUIREMENTS OF THE AUTHORITY HAVING JURISDICTION.
4. WEIGHTS AND DIMENSIONS ARE APPROXIMATE. CONSULT WITH YOUR PLASTEEL® TANK MANUFACTURER FOR SPECIFIC WEIGHTS AND DIMENSIONS.
5. THREADED CONNECTIONS ARE TYPICAL. PIPING CONTAINMENT SUMP ATTACHMENT COLLARS ARE OPTIONAL. CONSULT WITH YOUR PLASTEEL® TANK MANUFACTURER FOR DETAILS AND OPTIONS.
6. TANK VENT FITTING SIZE MUST COMPLY WITH UL STANDARD 58.



FITTING SCHEDULE			
MARK	DIM	DESCRIPTION	
A	2"	NPT FITTING W/ 2" SCH 40 MONITOR ACCESS TUBE	
F	4"	NPT FILL	
F	2"	NPT VENT	
F	4"	OPTIONAL NPT FITTING	
F	4"	NPT AUTOMATIC TANK GAGE	
T	4"	NPT SUBMERSIBLE TURBINE PUMP	
UL	2"X3"	UL JACKETED LABEL	

TYPICAL SUMP
TAB STOPS 3
EACH @ 120"

SELECTED FITTINGS
FROM ABOVE TABLE



PLASTEEL

INTERNATIONAL INC.

2541 STATE STREET, SUITE #206

PHONE: 1-700-729-1093

CARLSBAD, CA 92008
FAX 1-700-729-1096

SCALE: NONE

APPROVED BY:

DRAWN BY:

DATE: 1-24-07

TYPICAL 15,000 GALLON

PLASTEEL® ELUTRON® JACKETED TANK