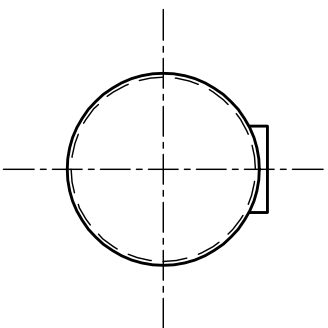


## Plasteel® Elutron® Jacketed Tank

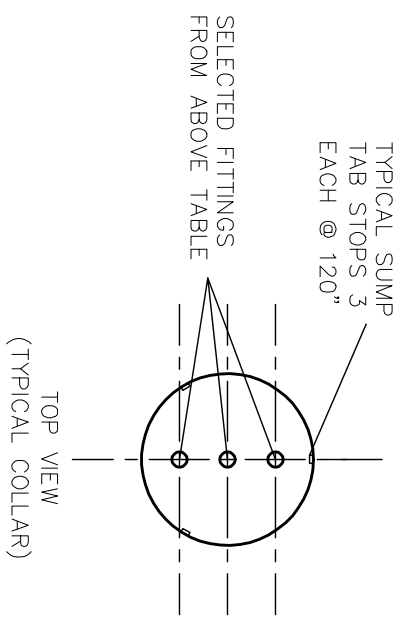
**12,000 GALLONS CAPACITY**  
**45,600 LITERS**

**EMPTY WEIGHT ~ 10,300 LBS / 4,675 KILOGRAM**

1. TANK MUST BE UL LISTED AND LABELED JACKETED PER UL STANDARDS 58 AND 1746, PART III.
2. TANK MUST BE INSTALLED PER THE PLASTEEL® TANK MANUFACTURER'S INSTALLATION INSTRUCTIONS.
3. TANK MUST COMPLY WITH THE REQUIREMENTS OF THE AUTHORITY HAVING JURISDICTION.
4. WEIGHTS AND DIMENSIONS ARE APPROXIMATE. CONSULT WITH YOUR PLASTEEL® TANK MANUFACTURER FOR SPECIFIC WEIGHTS AND DIMENSIONS.
5. THREADED CONNECTIONS ARE TYPICAL. PIPING CONTAINMENT SUMP ATTACHMENT COLLARS ARE OPTIONAL. CONSULT WITH YOUR PLASTEEL® TANK MANUFACTURER FOR DETAILS AND OPTIONS.
6. TANK VENT FITTING SIZE MUST COMPLY WITH UL STANDARD 58.



FITTING SCHEDULE		
MARK	DIM	DESCRIPTION
A	2"	NPT FITTING W/ 2" SCH 40 MONITOR ACCESS TUBE
F	4"	NPT FILL
F	2"	NPT VENT
F	4"	OPTIONAL NPT FITTING
F	4"	NPT AUTOMATIC TANK GAGE
T	4"	NPT SUBMERSIBLE TURBINE PUMP
UL	2"X3"	UL JACKETED LABEL



**PLASTEEL INTERNATIONAL INC.**

2541 STATE STREET, SUITE #206 CARLSBAD, CA 92008  
 PHONE: 1-760-729-1093 FAX 1-760-729-1096

SCALE: NONE APPROVED BY: DRAWN BY:

DATE: 1-24-07

**TYPICAL 12,000 GALLON**

**PLASTEEL® ELUTRON® JACKETED TANK**