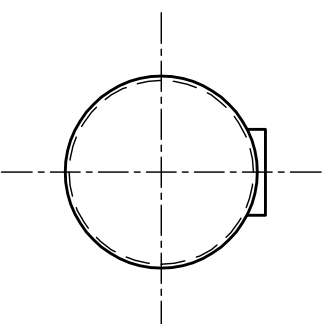


Plasteel® Elutron® Jacketed Tank

**10,000 GALLONS CAPACITY
38,000 LITERS**

EMPTY WEIGHT ~ 9,600 LBS / 4,355 KILOGRAM

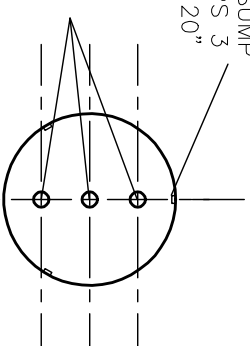
1. TANK MUST BE UL LISTED AND LABELED JACKETED PER UL STANDARDS 58 AND 1746, PART III.
2. TANK MUST BE INSTALLED PER THE PLASTEEL® TANK MANUFACTURER'S INSTALLATION INSTRUCTIONS.
3. TANK MUST COMPLY WITH THE REQUIREMENTS OF THE AUTHORITY HAVING JURISDICTION.
4. WEIGHTS AND DIMENSIONS ARE APPROXIMATE. CONSULT WITH YOUR PLASTEEL® TANK MANUFACTURER FOR SPECIFIC WEIGHTS AND DIMENSIONS.
5. THREADED CONNECTIONS ARE TYPICAL. PIPING CONTAINMENT SUMP ATTACHMENT COLLARS ARE OPTIONAL. CONSULT WITH YOUR PLASTEEL® TANK MANUFACTURER FOR DETAILS AND OPTIONS.
6. TANK VENT FITTING SIZE MUST COMPLY WITH UL STANDARD 58.



FITTING SCHEDULE	
MARK	DIM DESCRIPTION
A	2" NPT FITTING W/ 2" SCH 40 MONITOR ACCESS TUBE
F _F	4" NPT FILL
F _V	2" NPT VENT
F _O	4" OPTIONAL NPT FITTING
F _A	4" NPT AUTOMATIC TANK GAGE
T	4" NPT SUBMERSIBLE TURBINE PUMP
UL	2"X3" UL JACKETED LABEL

TYPICAL SUMP
TAB STOPS 3
EACH @ 120"

SELECTED FITTINGS
FROM ABOVE TABLE



TOP VIEW
(TYPICAL COLLAR)

PLASTEEL INTERNATIONAL INC.

2541 STATE STREET, SUITE #205

PHONE: 1-700-729-1083

CARLSBAD, CA 92008
FAX 1-700-729-1086

SCALE: NONE

APPROVED BY:

DRAWN BY:

DATE: 1-24-07

TYPICAL 10,000 GALLON

PLASTEEL® ELUTRON® JACKETED TANK