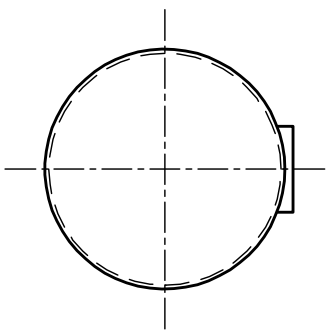


## Plasteel Composite® Double Wall Tank

**20,000 GALLONS CAPACITY  
76,000 LITERS**

**EMPTY WEIGHT ~ 26,600 LBS / 12,000 KILOGRAM**

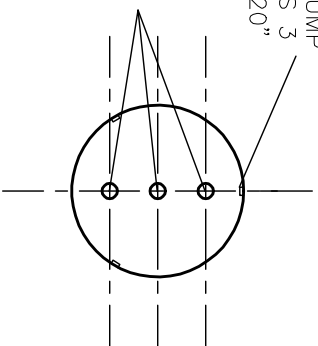
1. TANK MUST BE UL LISTED AND LABELED COMPOSITE PER UL STANDARDS 58 AND 1746, PART II.
2. TANK MUST BE INSTALLED PER THE PLASTEEL® TANK MANUFACTURER'S INSTALLATION INSTRUCTIONS.
3. TANK MUST COMPLY WITH THE REQUIREMENTS OF THE AUTHORITY HAVING JURISDICTION.
4. WEIGHTS AND DIMENSIONS ARE APPROXIMATE. CONSULT WITH YOUR PLASTEEL® TANK MANUFACTURER FOR SPECIFIC WEIGHTS AND DIMENSIONS.
5. THREADED CONNECTIONS ARE TYPICAL. PIPING CONTAINMENT SUMP ATTACHMENT COLLARS ARE OPTIONAL. CONSULT WITH YOUR PLASTEEL® TANK MANUFACTURER FOR DETAILS AND OPTIONS.
6. TANK VENT FITTING SIZE MUST COMPLY WITH UL STANDARD 58.



FITTING SCHEDULE			
MARK	DIM	DESCRIPTION	
A	2"	NPT FITTING W/ 2" SCH 40 MONITOR ACCESS TUBE	
F <sub>F</sub>	4"	NPT FILL	
F <sub>V</sub>	2"	NPT VENT	
F <sub>O</sub>	4"	OPTIONAL NPT FITTING	
F <sub>A</sub>	4"	NPT AUTOMATIC TANK GAGE	
T	4"	NPT SUBMERSIBLE TURBINE PUMP	
UL	2"X3"	UL COMPOSITE SECONDARY CONTAINMENT LABEL	

TYPICAL SUMP  
TAB STOPS 3  
EACH @ 120"

SELECTED FITTINGS  
FROM ABOVE TABLE



# PLASTEEL

INTERNATIONAL INC.

2541 STATE STREET, SUITE #206

PHONE: 1-700-729-1083

FAX 1-700-729-1086

CARLSBAD, CA 92008

SCALE: NONE

APPROVED BY:

DRAWN BY:

DATE: 1-24-07

TYPICAL 20,000 GALLON

PLASTEEL COMPOSITE® DOUBLE WALL TANK